

HANDLE

- Chrome-plated steel **CR**
- AISI 303 stainless steel **NI**
- Matte shot-blasted finish

MOUNTING BASE

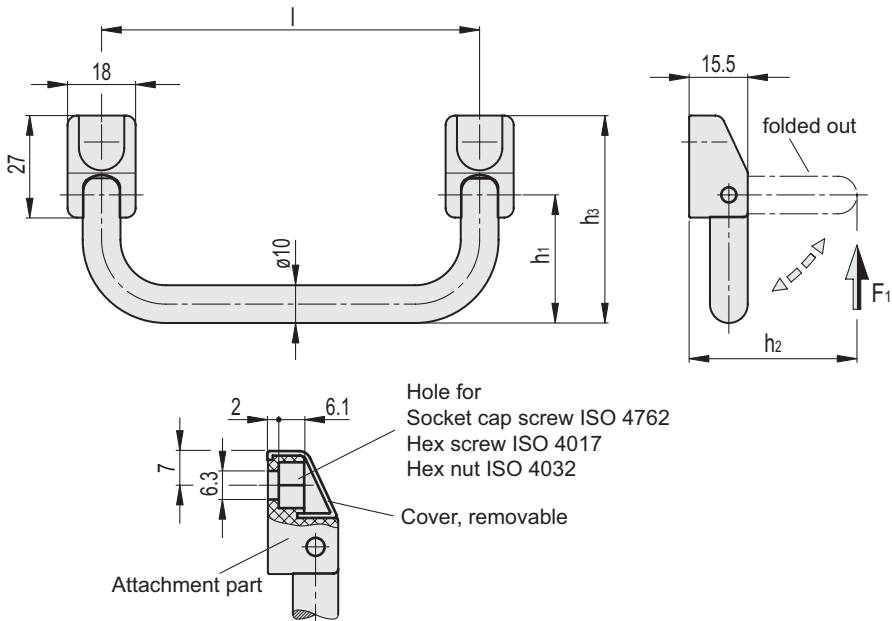
- Polyamide based (PA) technopolymer
- Working temperature up to 10 °C
- Black, matte finish.

COVER

- Polyamide based (PA) technopolymer
- Working temperature up to 10 °C
- Grey-black, matte finish.

INFORMATION

GN 425.5 folding handles are used when the handle must not protrude or can protrude only to a limited extent. The handle is held in the locked position by a spring-loaded thrust pin. The static load indicated in the table is an approximate value which, if exceeded, may result in permanent deformation or breakage of the technopolymer mounting base. Alternatively, the GN 425.2 folding handle can be used.



GN 425.5-CR

METRIC

Code	Description	Length l	h_1	h_2	h_3	Static load F_1 [N]	\triangle
GN.39241	GN 425.5-100-CR	100	34	44.5	55	500	106
GN.39244	GN 425.5-120-CR	120	34	44.5	55	500	118
GN.39247	GN 425.5-180-CR	180	34	44.5	55	500	163

GN 425.5-NI

INOX STAINLESS STEEL

Code	Description	Length l	h_1	h_2	h_3	Static load F_1 [N]	\triangle
GN.39242	GN 425.5-100-NI	100	34	44.5	55	500	106
GN.39245	GN 425.5-120-NI	120	34	44.5	55	500	118
GN.39248	GN 425.5-180-NI	180	34	44.5	55	500	163